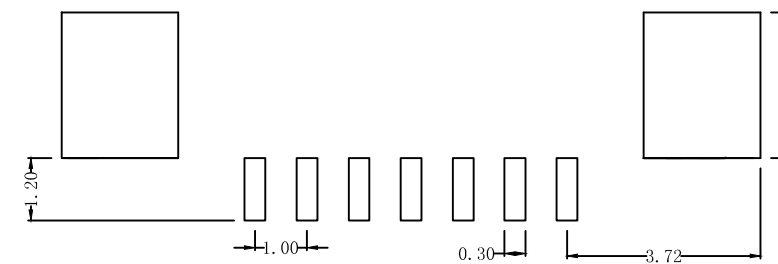
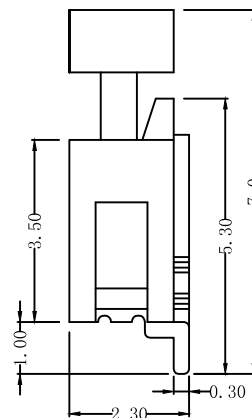
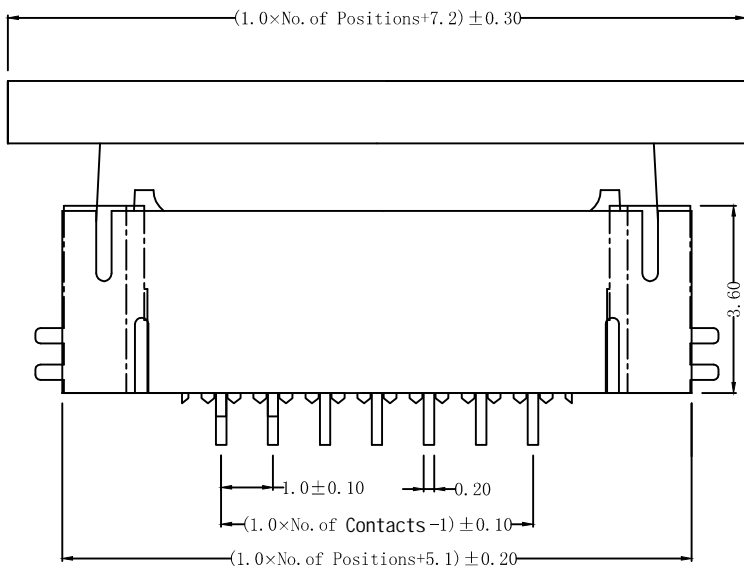
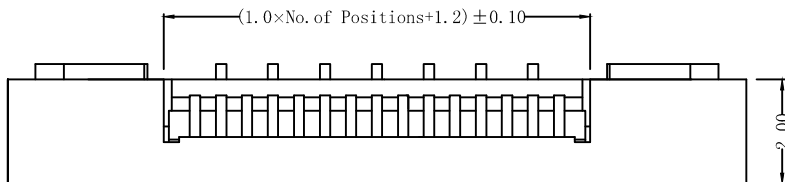


REV	DESCRIPTION	DATE



NOTE:

■ MATERIAL AND FINISH

HOUSING:HIGH-TEMP. THERMOPLASTIC. UL 94V-0.
 ACTUATOR:HIGH-TEMP. THERMOPLASTIC. UL 94V-0.
 CONTACT:PHOSPHOR BRONZE.

PLATING:TIN OR GOLD PLATED OVER NICKEL.
 HOLDDOWN:BRASS. PLATING:TIN PLATED OVER NICKEL.

■ ELECTRICAL

CURRENT:0.5A MAX.
 CONTACT RESISTANCE:30mΩ MAX.
 INSULATION RESISTANCE:100MΩ MIN.
 DIELECTRIC WITHSTANDING VOLTAGE:250V AC MIN.

■ ENVIRONMENTAL

TEMPERATURE:-25°C TO +85°C

■ PART NO.

CNT-FPC100-XX-TDM-S21-230

RECOMMENDED PCB LAYOUT

<p>CNT 肯耐特电子有限公司</p>				GENERAL TOLERANCE		DRAWN 董道丽	DATE 20191011	DWG. NO.	TITLE
				X.° ±5°	X. ±0.30	CHECK 王芳芳	DATE 20191011	PART. NO.	
REV. 1.0	UNIT mm	SCALE 1:1		.X° ±3°	.X ±0.38	APPROVE 王元中	DATE 20191011	CNT-FPC100-XX-TDM-S21-230	FPC 1.0 PITCH ZIF LOCK LOWER CONTACT FOR SMT90° TYPE
				.XX° ±2°	.XX ±0.25				
				.XXX° ±1°	.XXX ±0.15				